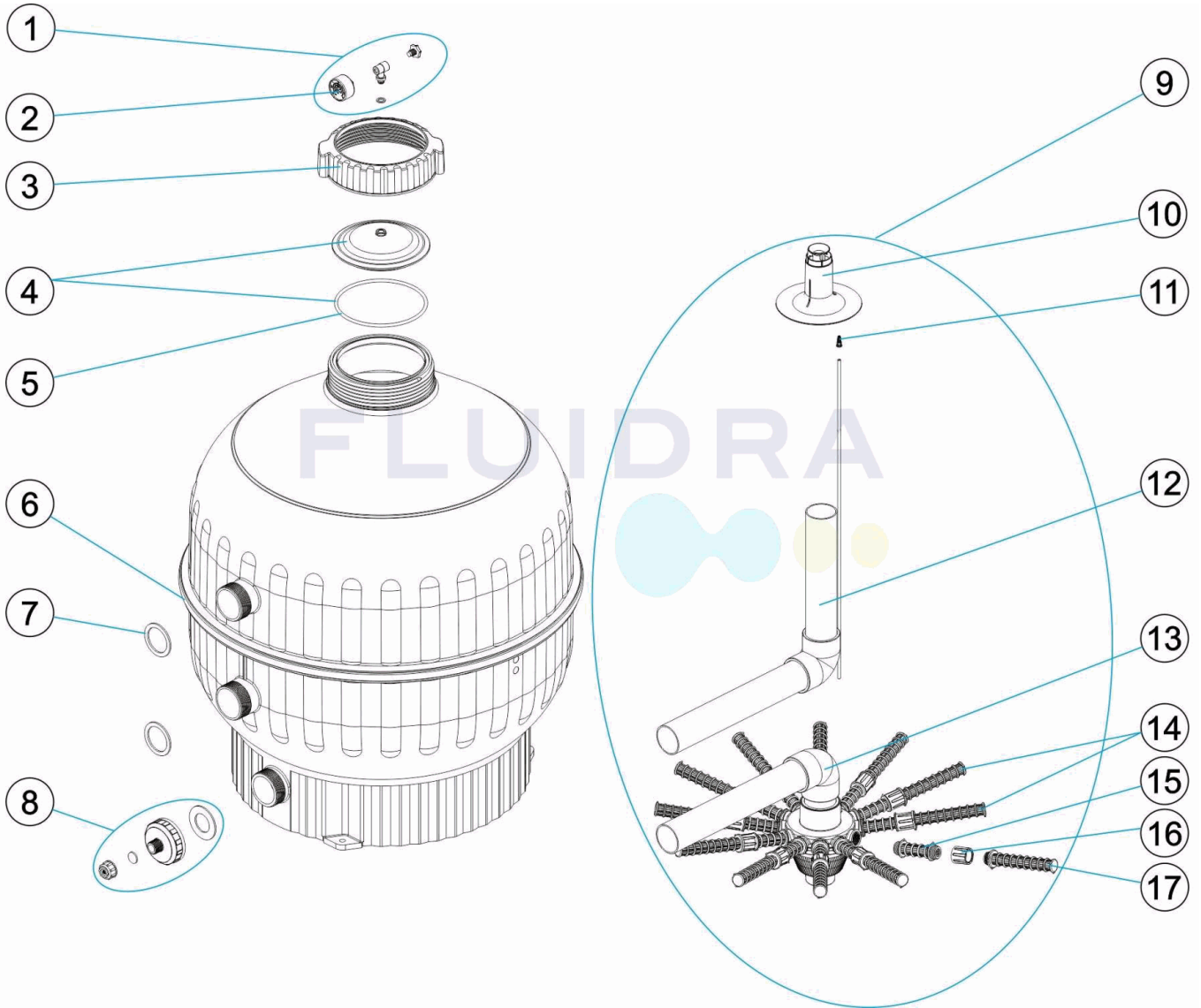


CODIGO **15784**

DESCRIPCION: **FILTRO CANTABRIC 750**



ESPAÑOL

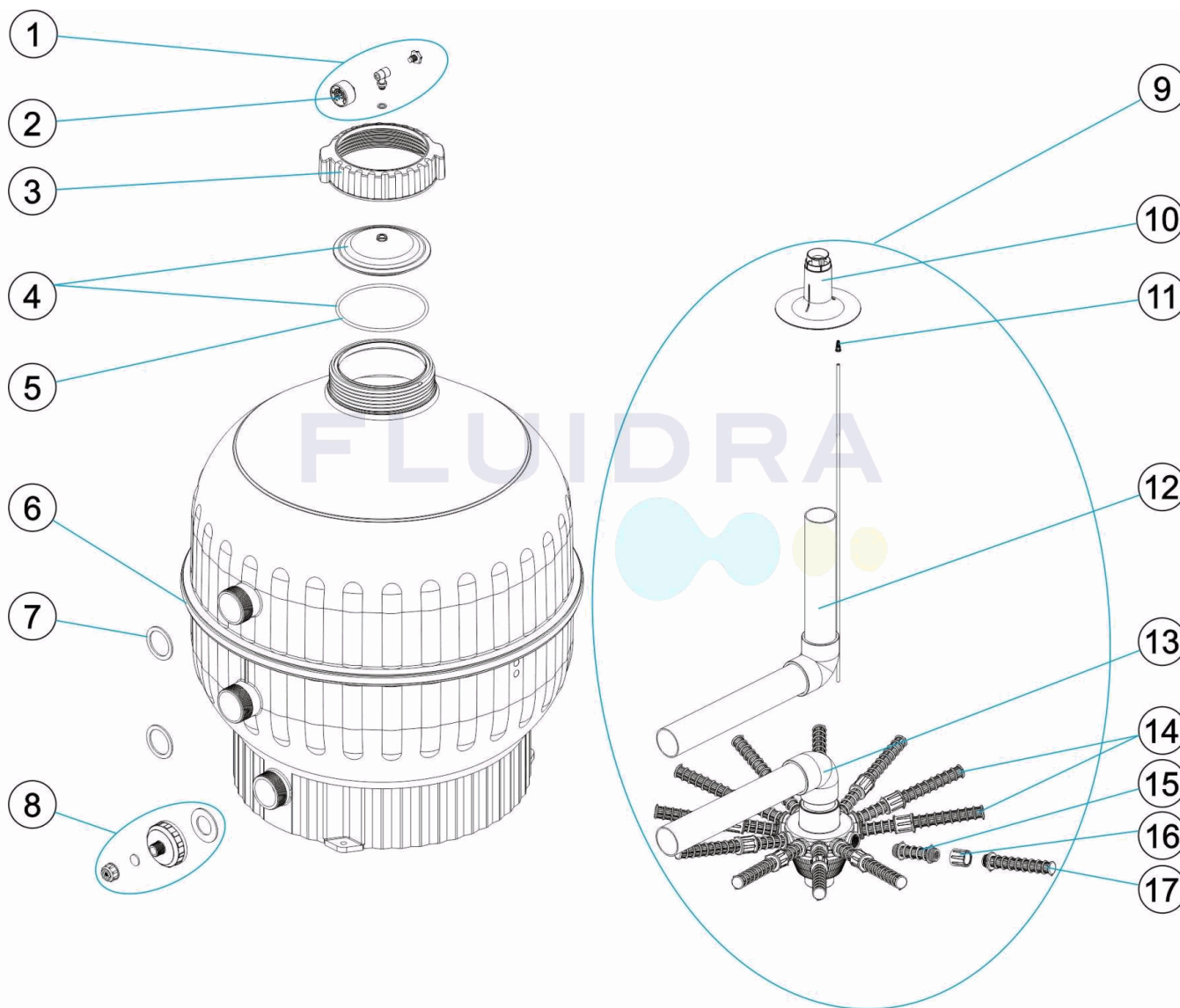
POS	CODIGO	DESCRIPCION	POS	CODIGO	DESCRIPCION
1	4404080104	MANOMETRO COMPLETO	10	4404180028	DIFUSOR D. 750
2	4404010103	MANOMETRO 1/8" 3 KG./C "	11	4404040108	PURGA AIRE
3	4404180007	TUERCA TAPA CANTABRIC	12	4404180012	CJTO. DIFUSOR D. 750
4	4404180101	TAPA TRANSPARENTE EASTAR D.173 (PCTA) + JUN	13	4404180013	CJTO. COLECTOR D.750
5	4404180201	JUNTA TORICA	14	4404010086	CJTO. BRAZOS COLECTOR 3/4" D. 750"
6	4404180026	PERFIL EMBELLECEDOR D. 750	15	* 4404180117	BRAZO COLECTOR 3/4" 100 M "
7	4404180408	JUNTA PLANA 55X72X3,5	16	* 4404180118	MANGUITO ENLACE 3/4"
8	4404180114	PURGA ARENA 2'	17	* 4404300120	BRAZO COLECTOR 3/4" 160 M "
9	4404180027	CJTO. INTERIOR CTB D. 750			

CODIGO **15784**DESCRIPCION: **FILTRO CANTABRIC 750****OBSERVACIONES**

POS	CODIGO	OBSERVACIONES
15	4404180117	PARA: 15784 [3UT]
16	4404180118	PARA: 15784 [3UT]
17	4404300120	PARA: 15784 [6UT]

CODE **15784**

DESCRIPTION: **FILTRE CANTABRIC 750**



FRANCAIS

POS	CODE	DESCRIPTION	POS	CODE	DESCRIPTION
1	4404080104	MANOMETRE COMPLET	10	4404180028	DIFUSOR D. 750
2	4404010103	MANOMETRE 1/8" 3 KG./C "	11	4404040108	PURGE D'AIR
3	4404180007	ECROU DE COUVERCLE CANTABRIC	12	4404180012	ENSEMBLE DIFFUSEUR D. 750
4	4404180101	COUVERCLE TRANSPARENT " EASTAR" D.173 + JO	13	4404180013	ENSEMBLE COLLECTEUR D. 750
5	4404180201	JOINT TORIQUE	14	4404010086	ENSEMBLE BRAS DE REPARTITEUR 3/4" D. 750"
6	4404180026	ANNEAU DE PROTECTION D. 750	15	* 4404180117	BRAS DE REPARTITEUR 3/4" 100M "
7	4404180408	JOINT PLAT 55X72X3,5	16	* 4404180118	MANCHON 3/4"
8	4404180114	PURGE SABLE 2"	17	* 4404300120	BRAS DE REPARTITEUR 3/4" 160M "
9	4404180027	ENSEMBLE INTERIEUR D. 750			

CODE **15784**

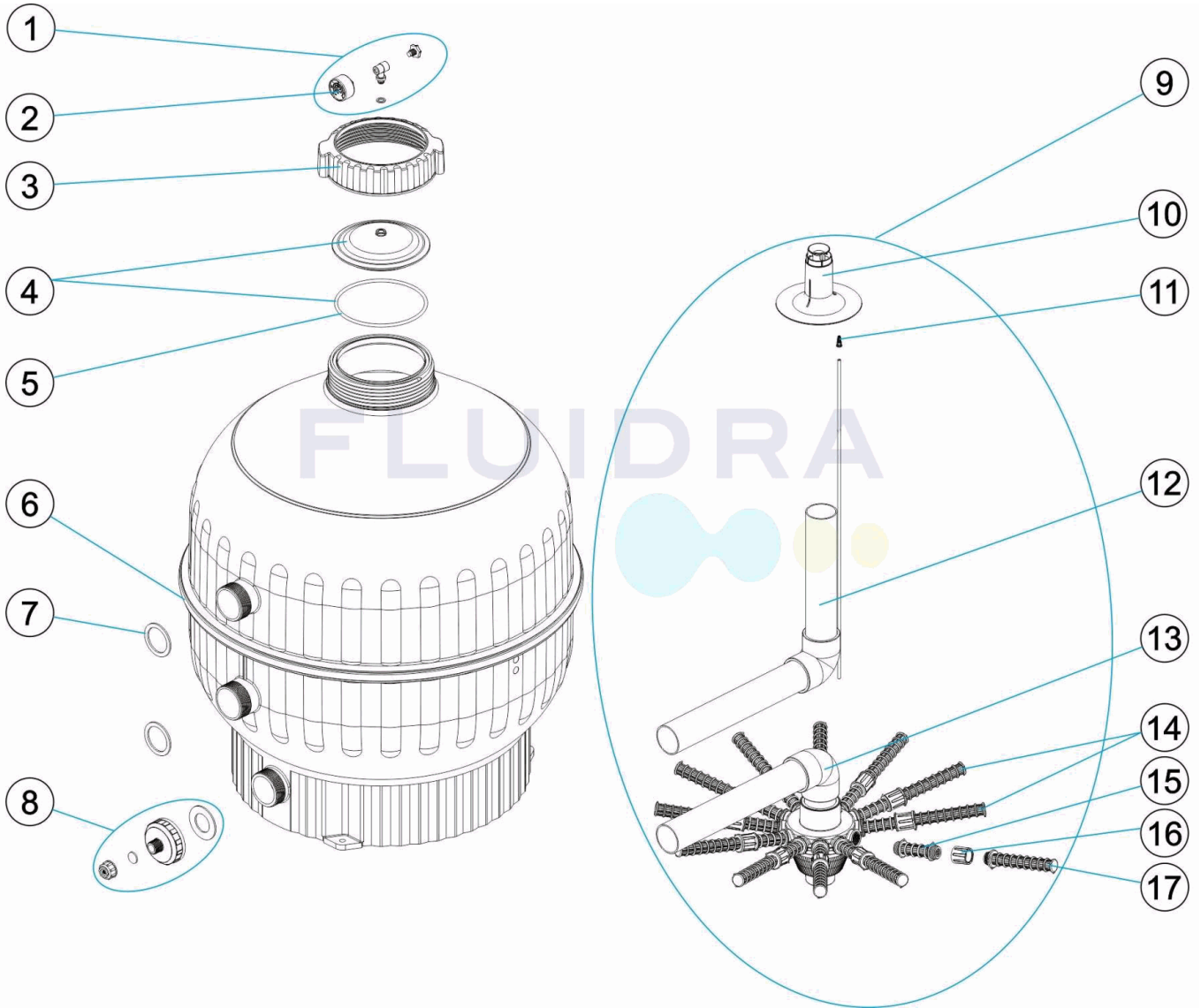
DESCRIPTION: **FILTRE CANTABRIC 750**

OBSERVATIONS

POS	CODE	OBSERVATIONS
15	4404180117	POUR: 15784 [3UT]
16	4404180118	POUR: 15784 [3UT]
17	4404300120	POUR: 15784 [6UT]

CODE **15784**

DESCRIPTION: **CANTABRIC FILTER 750**



ENGLISH

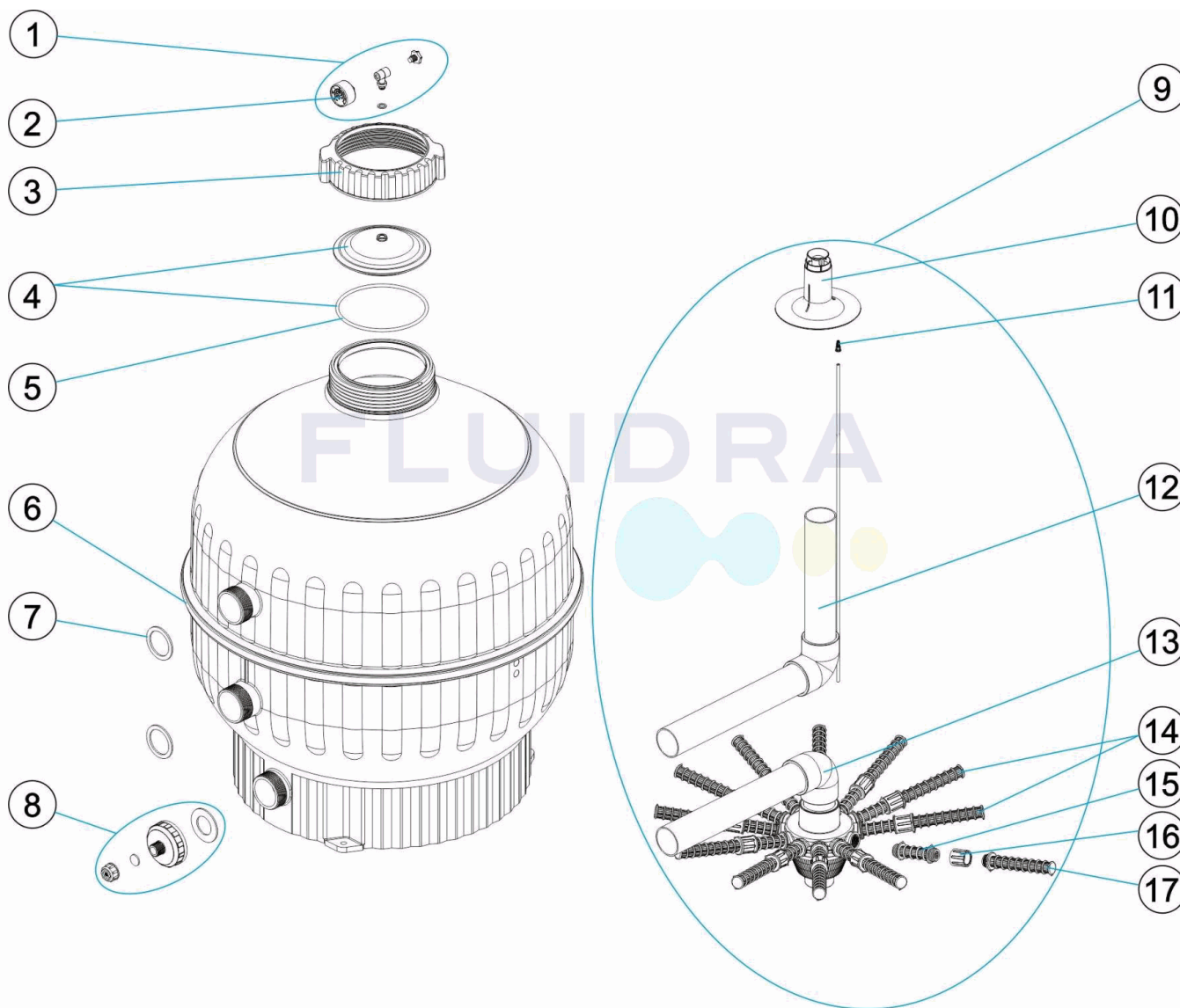
POS	CODE	DESCRIPTION	POS	CODE	DESCRIPTION
1	4404080104	COMPLETE PRESSURE GAUGE UNIT	10	4404180028	D. 750 DIFFUSER
2	4404010103	PRESSURE GAUGE 1/8" 3 KG./C "	11	4404040108	AIR PURGE
3	4404180007	THREADED LID COLLAR CANTABRIC	12	4404180012	DIFFUSER ASSEMBLY D. 750
4	4404180101	TRANSPARENT LID " EASTAR" D.173 + 'O' RIN "	13	4404180013	MANIFOLD ASSEMBLY D. 750
5	4404180201	O' RING	14	4404010086	MANIFOLD ARM ASSEMBLY 3/4" D. 750"
6	4404180026	PROFILE FACEPLATE D. 750	15	* 4404180117	MANIFOLD ARM 3/4" 100 M "
7	4404180408	FLAT GASKET 55X72X3,5	16	* 4404180118	UNION BUSH 3/4"
8	4404180114	SAND PURGE 2'	17	* 4404300120	MANIFOLD ARM 3/4" 160 M "
9	4404180027	COLLECTOR ASSEMBLY CANTABRIC D. 750			

CODE **15784**DESCRIPTION: **CANTABRIC FILTER 750****OBSERVATIONS**

POS	CODE	OBSERVATIONS
15	4404180117	FOR: 15784 [3UT]
16	4404180118	FOR: 15784 [3UT]
17	4404300120	FOR: 15784 [6UT]

CODICE 15784

DESCRIZIONE: FILTRO CANTABRIC 750



ITALIANO

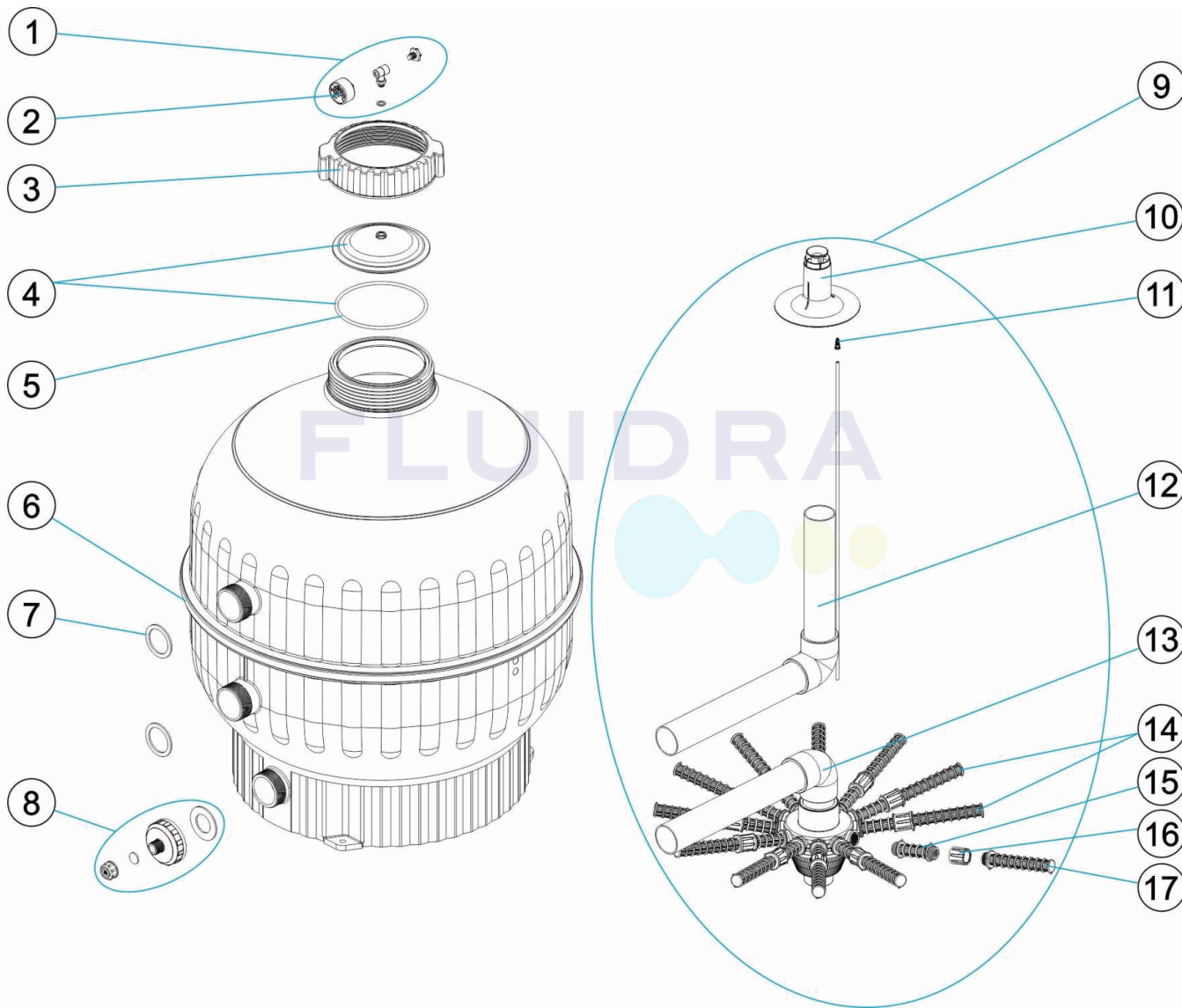
POS	CODICE	DESCRIZIONE	POS	CODICE	DESCRIZIONE
1	4404080104	MANOMETRO COMPLETO	10	4404180028	DIFFUSORE D. 750
2	4404010103	MANOMETRO 1/8" 3 KG./C "	11	4404040108	SFIATO ARIA
3	4404180007	GHIERA COPERCHIO CANTABRIC	12	4404180012	RACCORDO DIFFUSORE D. 750
4	4404180101	COPERCHIO TRASPARENTE " EASTAR" D.173 + C	13	4404180013	KIT COLLETTORE D. 750
5	4404180201	O-RING	14	4404010086	GRUPPO CANDELOTTO COLLECTORE 3/4" D. 750"
6	4404180026	PROFILO FLANGIA D. 750	15	* 4404180117	CANDELOTTO COLLECTORE 3/4" 100M "
7	4404180408	GUERNICIONE PIANA 55X72X3,5	16	* 4404180118	MANICOTTO DA 1" 3/4"
8	4404180114	SCARICO SABBIA 2'	17	* 4404300120	CANDELOTTO COLLECTORE 3/4" 160M "
9	4404180027	KIT COLLETTORE CANTABRIC D. 750			

CODICE **15784**DESCRIZIONE: **FILTRO CANTABRIC 750****OSSERVAZIONI**

POS	CODICE	OSSERVAZIONI
15	4404180117	PER: 15784 [3UT]
16	4404180118	PER: 15784 [3UT]
17	4404300120	PER: 15784 [6UT]

CODE 15784

BESCHREIBUNG: FILTER CANTABRIC 750



DEUTSCH

POS	CODE	BESCHREIBUNG	POS	CODE	BESCHREIBUNG
1	4404080104	MANOMETER KOMPLETT	10	4404180028	WASSERVERTEILER D. 750
2	4404010103	MANOMETER 1/8" 3 KG/C "	11	4404040108	ENTLÜFTUNG
3	4404180007	MUTTER ABDECKUNG CANTABRIC	12	4404180012	SET WASSERVERTEILER D. 750
4	4404180101	ABDECKUNG TRANSPARENT D.173 PCTA UND DICHTUNG	13	4404180013	SAMMELROHRSET D. 750
5	4404180201	O-RING	14	4404010086	SET FILTERSTERN-SCHLITZROHR 3/4" D. 750"
6	4404180026	PROFIL BLENDE D. 750	15	* 4404180117	FILTERSTERN-SCHLITZROHR 3/4" 100 M "
7	4404180408	FLACHDICHTUNG 55 X 72 X 3,5	16	* 4404180118	NIPPEL ANSCHLUSS 3/4"
8	4404180114	SANDENTLEERUNG 2'	17	* 4404300120	FILTERSTERN-SCHLITZROHR 3/4" 160 M "
9	4404180027	SAMMELROHRSET CTB D. 750			

CODE **15784**

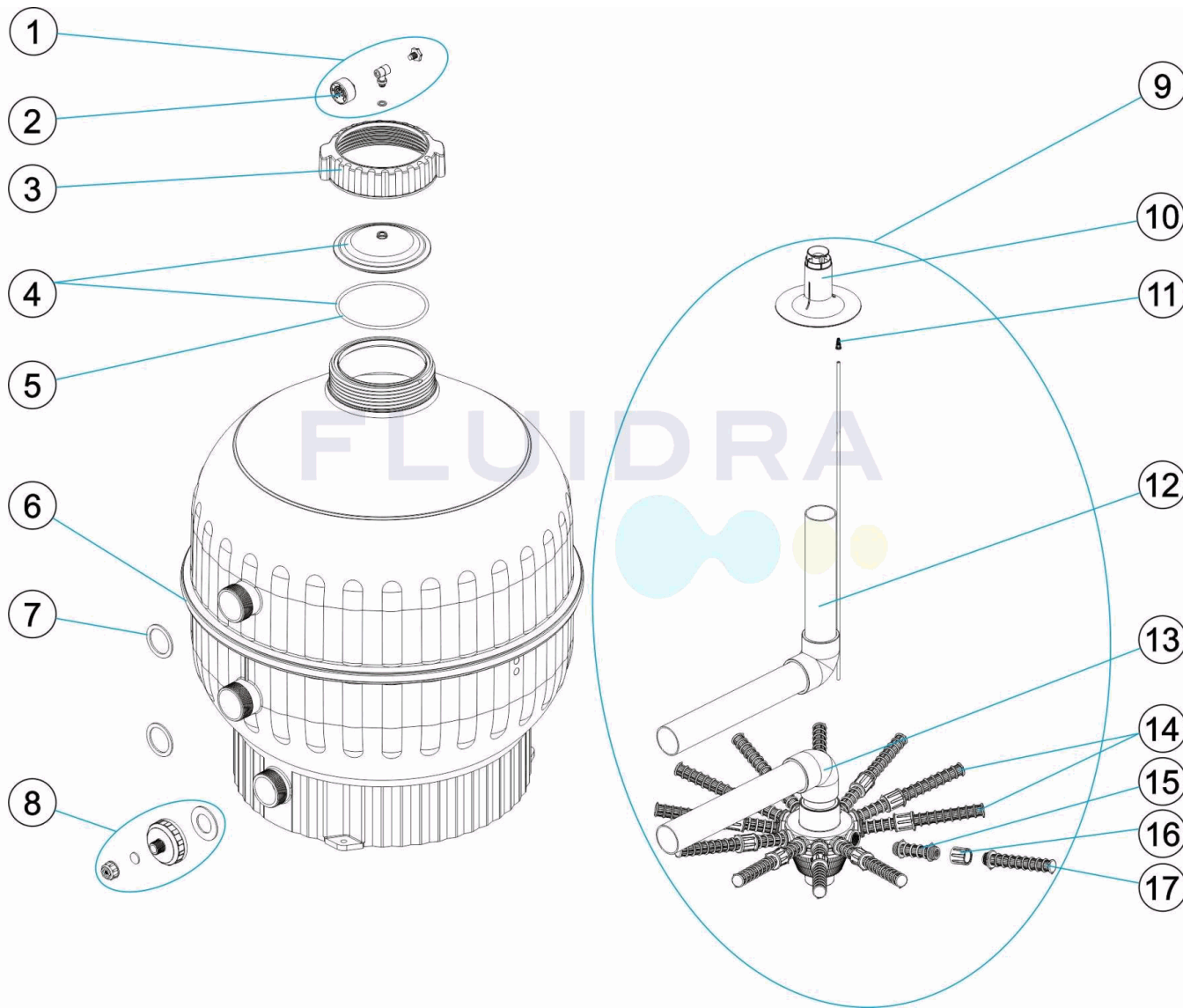
BESCHREIBUNG: **FILTER CANTABRIC 750**

HINWEISE

POS	CODE	HINWEISE
15	4404180117	FÜR: 15784 [3UT]
16	4404180118	FÜR: 15784 [3UT]
17	4404300120	FÜR: 15784 [6UT]

CODIGO **15784**

DESCRIÇÃO: **FILTRO CANTABRIC 750**



PORTUGUES

POS	CODIGO	DESCRIÇÃO	POS	CODIGO	DESCRIÇÃO
1	4404080104	MANÔMETRO COMPLETO	10	4404180028	DIFUSOR D. 750
2	4404010103	MANOMETRO 1/8" 3 KG./C "	11	4404040108	PURGA AREIA
3	4404180007	PORCA TAMPA CANTABRIC	12	4404180012	CJTO. DIFUSOR D. 750
4	4404180101	TAMPA TRANSPARENTE " EASTAR" D.173 + JUNT "	13	4404180013	CJTO. COLECTOR D. 750
5	4404180201	JUNTA TÓRICA	14	4404010086	CJTO. BRAÇO COLECTOR 3/4" D. 750"
6	4404180026	PERFIL EMBELEZADOR D. 750	15	* 4404180117	BRAÇO COLECTOR 3/4" 100M "
7	4404180408	JUNTA PLANA 55X72X3,5	16	* 4404180118	MANGUITO UNIÃO 3/4"
8	4404180114	PURGA AREIA 2'	17	* 4404300120	BRAÇO COLECTOR 3/4" 160M "
9	4404180027	CONJUNTO COLECTOR CANTABRIC D. 750			

CODIGO 15784

DESCRIÇÃO: FILTRO CANTABRIC 750

OBSERVAÇÕES

POS	CODIGO	OBSERVAÇÕES
15	4404180117	PARA: 15784 [3UT]
16	4404180118	PARA: 15784 [3UT]
17	4404300120	PARA: 15784 [6UT]